



250-312

Administration of Symantec Backup Exec 12 fo Windows Server

Document version: 1 .04 .11

Important Note About 250-312 PDF

techeXams' **250-312 PDF** is a comprehensive compilation of questions and answers that have been developed by our team of certified professionals. In order to prepare for the actual exam, all you need is to study the content of this exam questions. An average of approximately 10 to 15 hours should be spent to study these exam questions and you will surely pass your exam. It's our guarantee.

Copyright

techeXams holds the copyright of this material. techeXams grants you a limited license to view and study this material, either for personal or commercial use. Unauthorized reproduction or distribution of this material, or any portion thereof, may result in severe civil and criminal penalties, and will be prosecuted to the maximum extent possible under law.

Disclaimer

Neither this guide nor any material in this guide is sponsored, endorsed or affiliated with any of the respective vendor. All trademarks are properties of their respective owners.

Question: 1.

What does the Backup Exec Environment Check utility verify to ensure that the installation process can complete successfully? (Choose two.)

- A. Is a previous version of Backup Exec installed?
- B. Is there enough storage space for disk-based backups?
- C. Is an SMTP Server available?
- D. Are there Microsoft SQL database account privileges?
- E. Are there sufficient logon account privileges?

Answer: AE

Question: 2.

Which Symantec Backup Exec 12 for Windows Servers (Backup Exec) utility can be used to change the user account listed in the Backup Exec services?

- A. Services
- B. BEServices
- C. ServicesMgr
- D. BEDIAG

Answer: C

Question: 3.

Which three statements are true about the attributes of a device pool? (Choose three.)

- A. The All Available Drives device pool can be deleted.
- B. A drive can belong to more than one device pool.
- C. A device pool can contain different types of drives.
- D. Device priority can be set on a device pool.
- E. Multiple backup jobs can be targeted to the same device pool.

Answer: BCE

Question: 4.

A single tape-drive robotic library is attached to the Symantec Backup Exec 12 for Windows Servers (Backup Exec) media server but fails to display in the Backup Exec Devices window. The library is in the correct location under the Robotic Libraries tree, but instead of listing the drive underneath it, there is a listing of Unknown Drive. The drive name is listed under Stand-alone Drives. What must be done to solve this problem?

- A. Restart the Backup Exec Server service and scan for new devices in Windows Device Manager.
- B. Power down the Backup Exec Server and the attached robotic library, then power up the robotic library before powering up the Backup Exec Server.
- C. Run the Backup Exec Device Configuration Wizard and drag the correct drive name to the position under the robotic library.
- D. Because the robotic library is unserialized and not supported by Backup Exec, replace the robotic library with a supported robotic library.

Answer: C

Question: 5.

Which media set property defines the amount of time that data can be added to a piece of media?

- A. Append Period
- B. Overwrite Protection Period
- C. Retention Period
- D. Media Update Period

Answer: A

Question: 6.

Which compression type produces the least network traffic in a multi-server backup environment?

- A. compression with de-duplication
- B. software compression

- C. hardware compression
- D. compression with encryption

Answer: B

Question: 7.

Which two statements are accurate regarding full backups and copy backups? (Choose two.)

- A. Full backups and copy backups of the same resource include the same data.
- B. Full backups and copy backups are different names for the exact same backup method.
- C. Full backups and copy backups can be configured to reset the archive bit of backed up files.
- D. Full backups can reset the archive bit of backed up files; copy backups are unable to reset the archive bit.
- E. Copy backups can reset the archive bit of backed up files; full backups are unable to reset the archive bit.

Answer: AD

Question: 8.

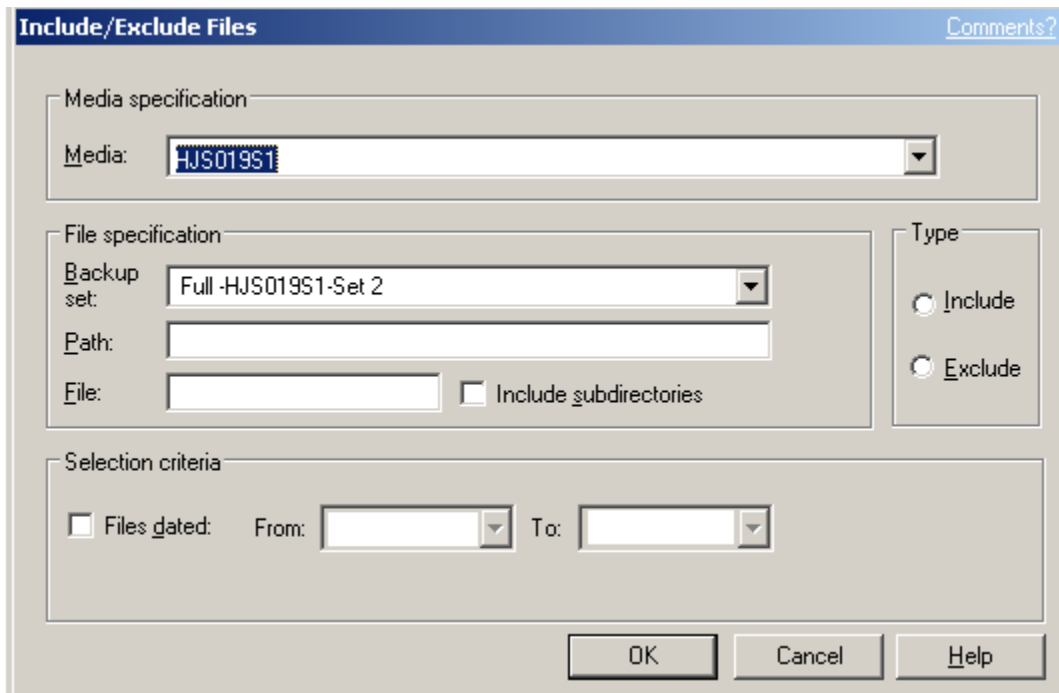
Which two Calendar Schedule settings can you use to schedule a job to run on the first and fifteenth of every month? (Choose two.)

- A. Specific Dates
- B. Recurring Week Days
- C. Recurring Days of the Month
- D. Day Interval
- E. Time Window

Answer: AC

Question: 9.

Refer to the exhibit.



A backup administrator must recover all Microsoft Word documents (.doc) created after January 1, 2005 from the F:\CEO directory, including subfolders. How is this accomplished?

- A. enter F:\CEO for the Path; enter *.doc for the File; select Include subdirectories; enter 1/1/2005 for From box; enter today's date for To box; select Include for Type
- B. enter F:\CEO for the Path; enter *.* for the File; enter 1/1/2005 for the From Box; leave the To box blank; select Include for Type
- C. enter F:*.* for the Path; enter \CEO*.doc for the File; select Include subdirectories; enter 1/1/2005 for the From box; enter today's date for the To box; select Exclude for Type
- D. enter * for the Path; enter *.doc for the File; select Include subdirectories; enter 1/1/2005 for the From box; enter today's date for the To box; select Include for Type

Answer: A

Question: 10.

Which three summaries can be found on the Job Monitor's System Summary view? (Choose three.)

- A. device and media summary
- B. alerts summary

- C. licensing summary
- D. installed patch summary
- E. job summary

Answer: ABE

Question: 11.

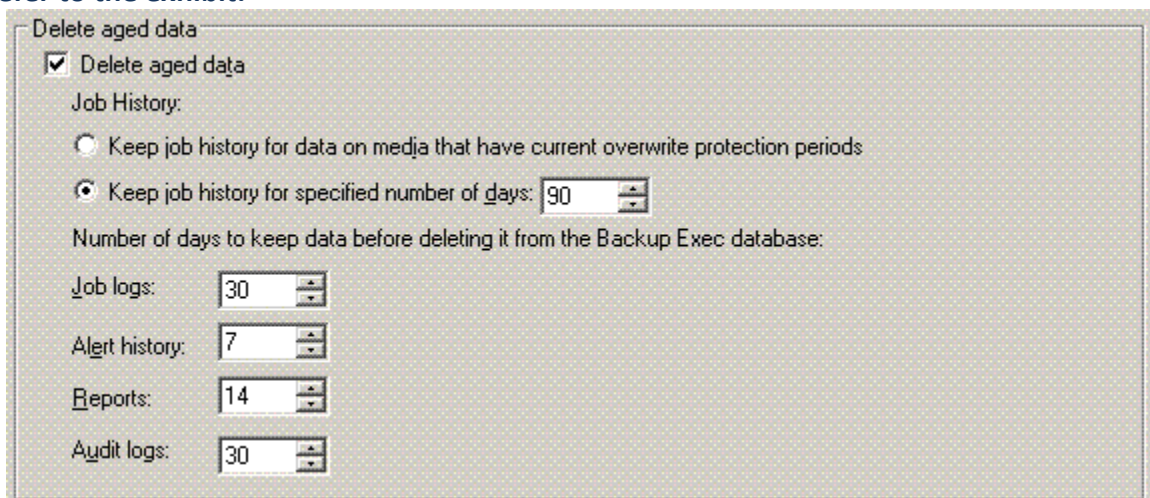
Which two alert category types can be disabled? (Choose two.)

- A. Warning alerts
- B. Attention Required alerts
- C. Error alerts
- D. E-mail Failure alerts
- E. Informational alerts

Answer: AE

Question: 12.

Refer to the exhibit.



Delete aged data

Delete aged data

Job History:

Keep job history for data on media that have current overwrite protection periods

Keep job history for specified number of days: 90

Number of days to keep data before deleting it from the Backup Exec database:

Job logs: 30

Alert history: 7

Reports: 14

Audit logs: 30

Annual accounting history must be archived for 120 days and marketing history must be archived for 90 days. Which setting allows reporting for marketing and accounting history?

- A. change Keep alert history to 90 days

- B. change Keep job logs to 120 days
- C. change Keep job history selection for keep job history to match current OPP
- D. change Keep job history for selected number of days to 120

Answer: C

Question: 13.

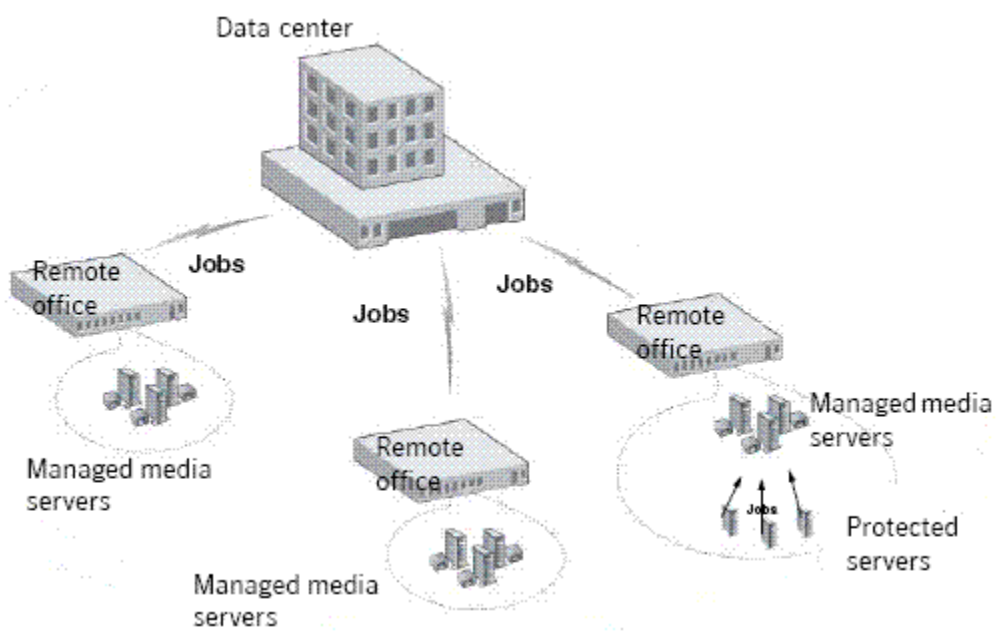
An attempt to install the Remote Agent for Linux and UNIX Servers on a UNIX server fails. Which log can be reviewed to determine the cause of the installation failure?

- A. /var/tmp/vxif/installralus/installralus.log
- B. /var/logs/ralus/installralus.log
- C. /install/symantec/logs/ralus.log
- D. /usr/opencv/symantec/logs/install.log

Answer: A

Question: 14.

Refer to the exhibit.



Which Symantec Backup Exec 12 for Windows Servers option is required to manage all backups from the data center?

- A. Shared Storage Option
- B. Active Directory Recovery Option
- C. Central Admin Server Option
- D. Executive Desktop Option

Answer: A

Question: 15.

Which two factors define a backup Service Level Agreement (SLA)? (Choose two.)

- A. Recovery Point Objective
- B. Recovery Time Objective
- C. Recovery Method
- D. Recovery Retention Period
- E. Recovery Priority Objective

Answer: AB

Question: 16.

A large enterprise provides a six-hour backup window at night, but requires failed systems to be restored immediately. Which SLA meets the Recovery Point Objective (RPO) and Recovery Time Objective (RTO) requirements?

- A. RPO 0, RTO 0
- B. RPO 6 hours, RTO 6 hours
- C. RPO 6 hours, RTO 0
- D. RPO 0, RTO 6 hours

Answer: C

Question: 17.

A web-based retailer's mission-critical servers must be online constantly, providing zero downtime in which to run a backup. Which Symantec Backup Exec 12 for Windows Servers component is required in order to meet the SLA?

- A. Advanced Disk-based Backup Option
- B. Continuous Protection Server Option
- C. Volume Shadow Copy Services Option
- D. Central Admin Server Option

Answer: B

Question: 18.

A global company must use a "follow-the-sun" backup strategy, which means that the backup servers are constantly performing backups. The SLA requires that both DHCP and Active Directory remain available. Which Symantec Backup Exec 12 for Windows Servers component is required in order to meet the SLA?

- A. Data Protection Option
- B. Advanced Open File Option
- C. Central Admin Server Option
- D. Agent for Enterprise Vault Option

Answer: B

Question: 19.

A financial institution has a two-hour backup window and is required to restore individual e-mails within 20 minutes if their Microsoft Exchange Server fails. Which Service Level Agreement (SLA) meets the Recovery Point Objective (RPO) and Recovery Time Objective (RTO) requirements?

- A. RTO 2 hours, RPO 20 minutes, Granular Recovery Technology enabled
- B. RTO 20 minutes, RPO 2 hours, Granular Recovery Technology enabled
- C. RTO 20 minutes, RPO 2 hours, Individual E-mail Recovery enabled
- D. RTO 2 hours, RPO 20 minutes, Individual E-mail Recovery enabled

Answer: B

Question: 20.

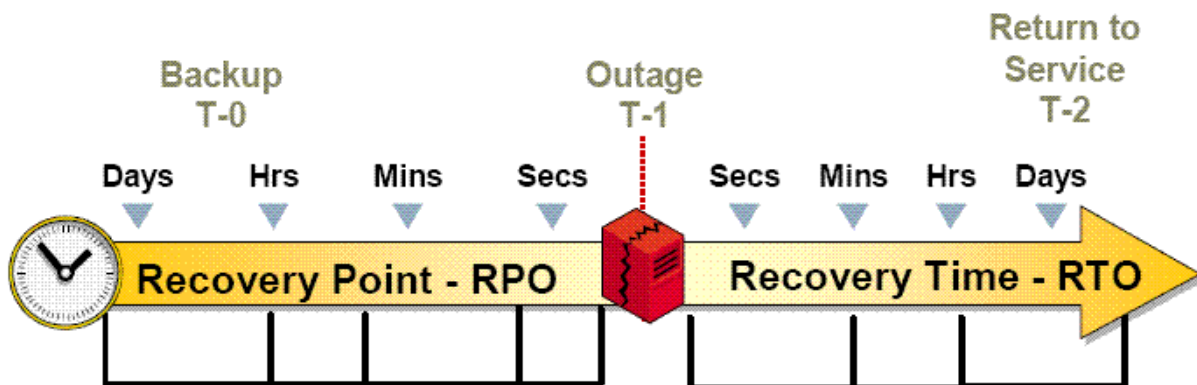
A medium-sized paper company with several remote offices deploys Symantec Backup Exec 12 for Windows Servers Central Admin Server Option (CASO) in their data center. The company's SLA requires that the backup environment be restored to an alternate location in the event of a data center outage. Which CASO catalog location option meets this company's SLA?

- A. Centralized Catalog
- B. Distributed Catalog
- C. Replicated Catalog
- D. Exported Catalog

Answer: C

Question: 21.

Refer to the Exhibit.



Which method provides the most current restore point?

- A. tape replication
- B. tape backup
- C. system rebuild
- D. system deduplication

Answer: B

Question: 22.

Which technology provides the most efficient Recovery Point Objective (RPO)?

- A. Remote Administration Option
- B. Intelligent Disaster Recovery Option
- C. Backup Exec System Recovery
- D. Continuous Protection Server

Answer: D

Get Full Version of Exam 250-312 PDF Q&A

techeXams presents authentic, genuine and valid study material, which promise 100% success in very first attempt. To take optimal results for 250-312 exam, you need to buy full version of 250-312 question and answer. An average of approximately 10 to 15 hours should be spent to study these exam questions and you will surely pass your exam. So come join us and quench your thirst for knowledge.

Get complete 250-312 questions and answers by visiting URL

["http://www.techexams.ws/exams/250-312.do"](http://www.techexams.ws/exams/250-312.do)