



640-822

(Interconnecting Cisco Networking Devices Part 1)

Document version: 8.27.11

Important Note About 640-822 PDF

techeXams' **640-822 PDF** is a comprehensive compilation of questions and answers that have been developed by our team of certified professionals. In order to prepare for the actual exam, all you need is to study the content of this exam questions. An average of approximately 10 to 15 hours should be spent to study these exam questions and you will surely pass your exam. It's our guarantee.

Copyright

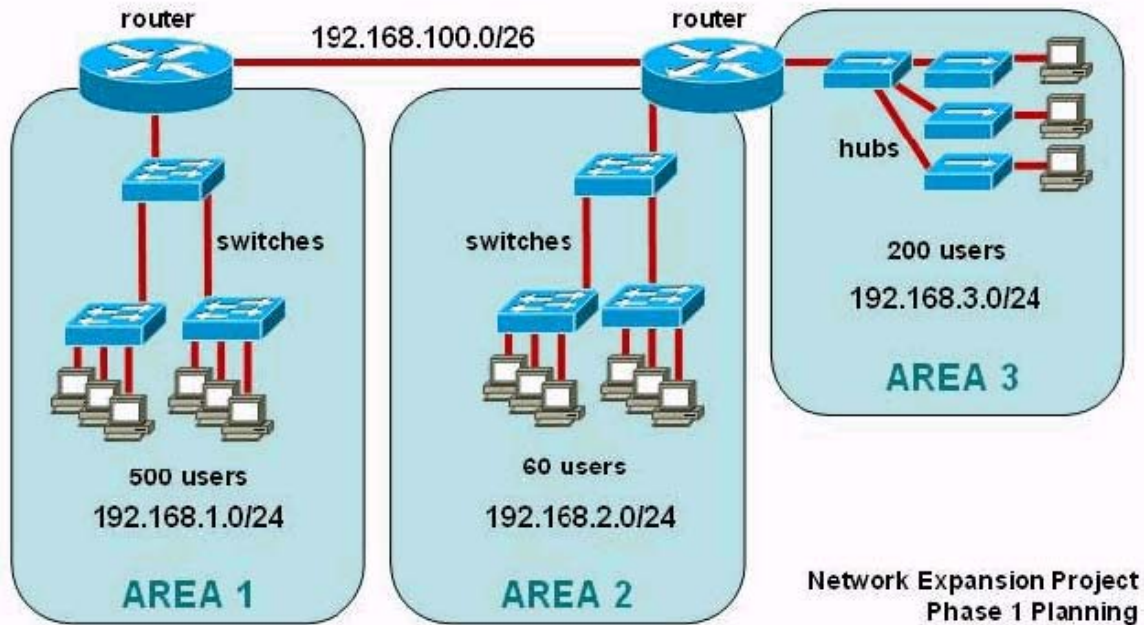
techeXams holds the copyright of this material. techeXams grants you a limited license to view and study this material, either for personal or commercial use. Unauthorized reproduction or distribution of this material, or any portion thereof, may result in severe civil and criminal penalties, and will be prosecuted to the maximum extent possible under law.

Disclaimer

Neither this guide nor any material in this guide is sponsored, endorsed or affiliated with any of the respective vendor. All trademarks are properties of their respective owners.

Question: 1

The junior network support staff provided the diagram as a recommended configuration for the first phase of a four-phase network expansion project.



The entire network expansion will have over 1000 users on 14 network segments and has been allocated this IP address space:

192.168.1.1 through 192.168.5.255

192.168.100.1 through 198.168.100.255

What are three problems with this design? (Choose three.)

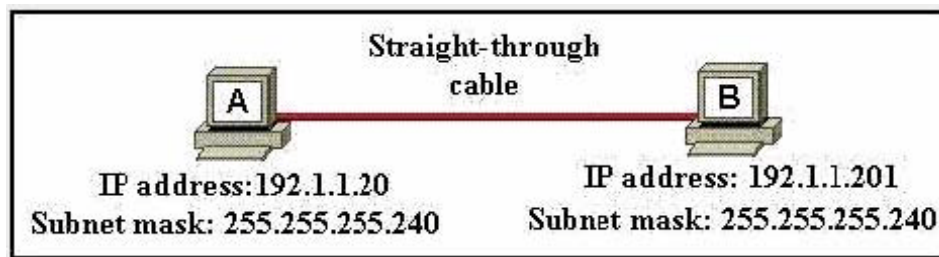
- A. The AREA 1 IP address space is inadequate for the number of users.
- B. The AREA 3 IP address space is inadequate for the number of users.
- C. AREA 2 could use a mask of /25 to conserve IP address space.
- D. The network address space that is provided requires a single network-wide mask.
- E. The router-to-router connection is wasting address space.
- F. The broadcast domain in AREA 1 is too large for IP to function.

Answer: A, C, E

Question: 2

A network administrator is connecting PC hosts A and B directly through their Ethernet

interfaces as shown in the graphic.



Ping attempts between the hosts are unsuccessful.

What can be done to provide connectivity between the hosts? (Choose two.)

- A. A crossover cable should be used in place of the straight-through cable.
- B. A rollover cable should be used in place of the straight-through cable
- C. The subnet masks should be set to 255.255.255.192.
- D. A default gateway needs to be set on each host.
- E. The hosts must be reconfigured to use private IP addresses for direct connections of this type.
- F. The subnet masks should be set to 255.255.255.0.

Answer: A, F

Question: 3

Why would a network administrator configure port security on a switch?

- A. to prevent unauthorized Telnet access to a switch port
- B. to limit the number of Layer 2 broadcasts on a particular switch port
- C. to prevent unauthorized hosts from accessing the LAN
- D. to protect the IP and MAC address of the switch and associated ports
- E. to block unauthorized access to the switch management interfaces over common TCP ports

Answer: C

Question: 4

Which two statements best describe the wireless security standard that is defined by WPA? (Choose two.)

- A. It specifies use of a static encryption key that must be changed frequently to enhance security.
- B. It requires use of an open authentication method.
- C. It specifies the use of dynamic encryption keys that change each time a client establishes a

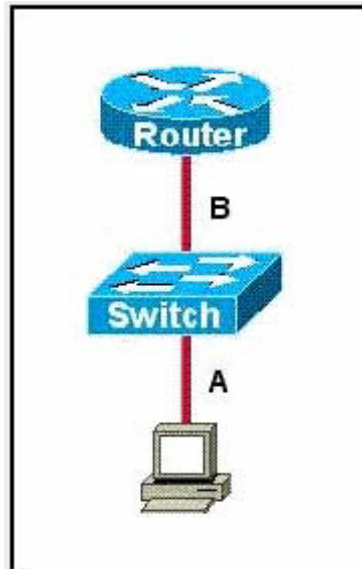
connection.

- D. It requires that all access points and wireless devices use the same encryption key.
- E. It includes authentication by PSK.

Answer: C, E

Question: 5

The two connected ports on the switch are not turning orange or green.



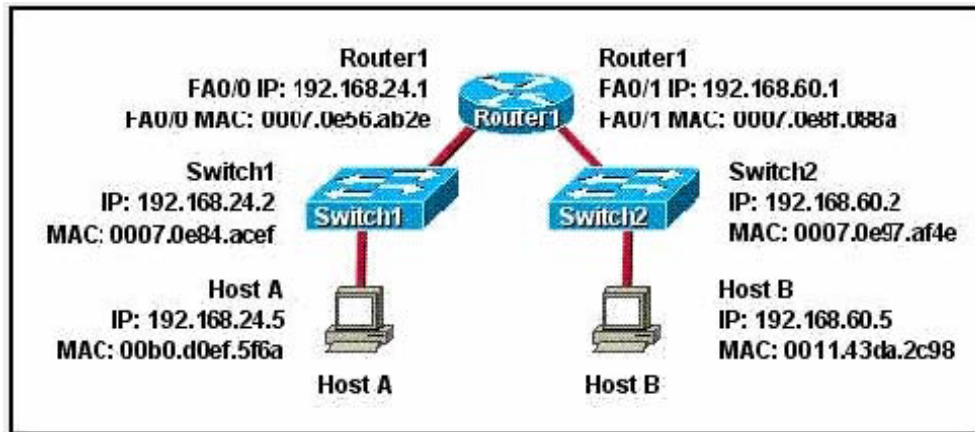
What would be the most effective steps to troubleshoot this physical layer problem?
 (Choose three.)

- A. Ensure that the Ethernet encapsulations match on the interconnected router and switch ports.
- B. Ensure that cables A and B are straight-through cables.
- C. Ensure cable A is plugged into a trunk port.
- D. Ensure the switch has power.
- E. Reboot all of the devices.
- F. Reseat all cables.

Answer: B, D, F

Question: 6

Host A needs to send data to Host B.



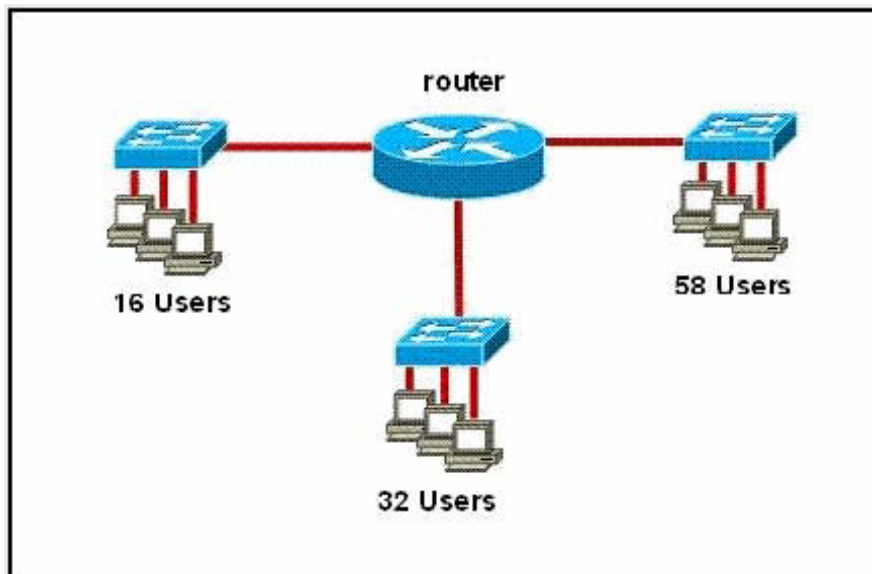
Which Layer 2 and Layer 3 destination addresses will be used to send the data from Host A to Host B?

- A. 192.168.60.5 and 0011.43da.2c98
- B. 192.168.60.5 and 0007.0e56.ab2e
- C. 192.168.24.1 and 0007.0e56.ab2e
- D. 192.168.24.2 and 0007.0e84.acef

Answer: B

Question: 7

The IP address space of 128.107.7.0/24 has been allocated for all devices on this network. All devices must use the same subnet mask and all subnets are usable.



Which subnet mask is required to apply the allocated address space to the configuration that is shown?

- A. 255.255.254.0
- B. 255.255.255.0
- C. 255.255.255.128
- D. 255.255.255.192
- E. 255.255.255.224

Answer: D

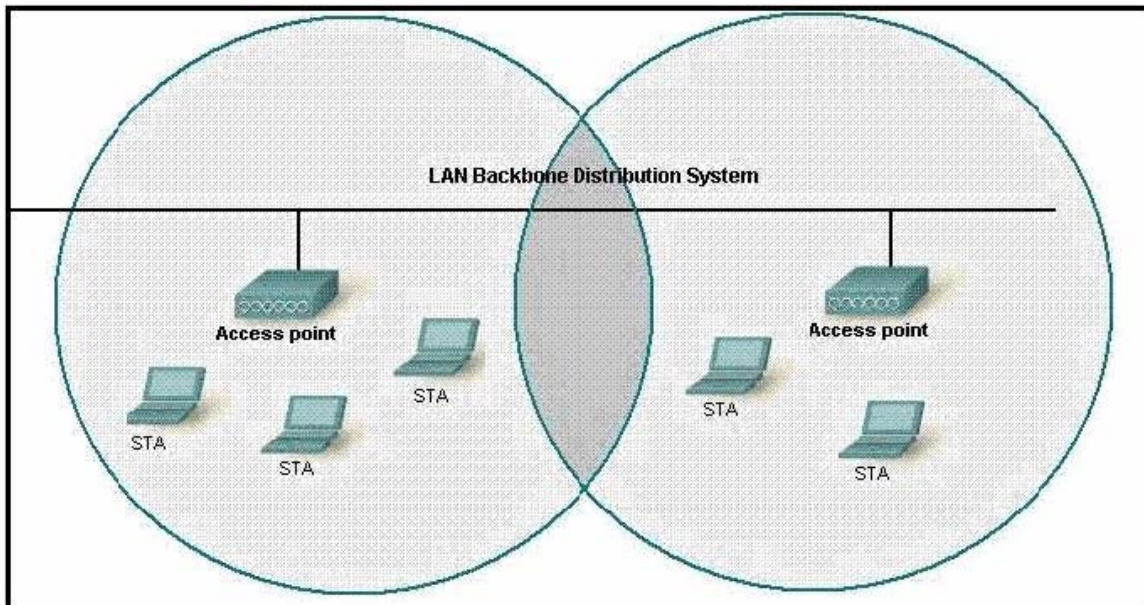
Question: 8

Which two statements describe the operation of the CSMA/CD access method? (Choose two.)

- A. In a CSMA/CD collision domain, multiple stations can successfully transmit data simultaneously.
- B. In a CSMA/CD collision domain, stations must wait until the media is not in use before transmitting.
- C. The use of hubs to enlarge the size of collision domains is one way to improve the operation of the CSMA/CD access method.
- D. After a collision, the station that detected the collision has first priority to resend the lost data.
- E. After a collision, all stations run a random backoff algorithm. When the backoff delay period has expired, all stations have equal priority to transmit data.
- F. After a collision, all stations involved run an identical backoff algorithm and then synchronize with each other prior to transmitting data.

Answer: B, E

Question: 9



What two facts can be determined from the WLAN diagram? (Choose two.)

- A. The area of overlap of the two cells represents a basic service set (BSS).
- B. The network diagram represents an extended service set (ESS).
- C. Access points in each cell must be configured to use channel 1.
- D. The area of overlap must be less than 10% of the area to ensure connectivity.
- E. The two APs should be configured to operate on different channels.

Answer: B, E

Get Full Version of Exam 640-822 PDF Q&A

techeXams presents authentic, genuine and valid study material, which promise 100% success in very first attempt. To take optimal results for 640-822 exam, you need to buy full version of 640-822 question and answer. An average of approximately 10 to 15 hours should be spent to study these exam questions and you will surely pass your exam. So come join us and quench your thirst for knowledge.

Get complete 640-822 questions and answers by visiting URL

["http://www.techexams.ws/exams/640-822.do"](http://www.techexams.ws/exams/640-822.do)