



640-863

(Designing for Cisco Internetwork Solutions)

Document version: 1.04.11

Important Note About 640-863 PDF

techeXams' **640-863 PDF** is a comprehensive compilation of questions and answers that have been developed by our team of certified professionals. In order to prepare for the actual exam, all you need is to study the content of this exam questions. An average of approximately 10 to 15 hours should be spent to study these exam questions and you will surely pass your exam. It's our guarantee.

Copyright

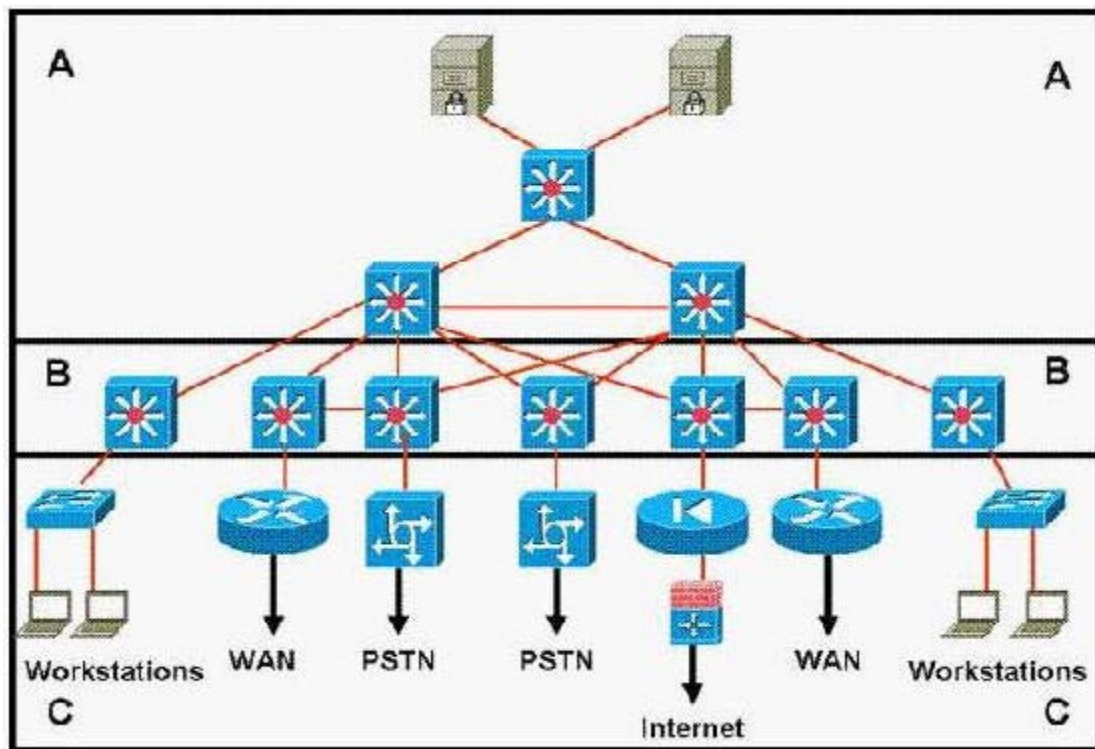
techeXams holds the copyright of this material. techeXams grants you a limited license to view and study this material, either for personal or commercial use. Unauthorized reproduction or distribution of this material, or any portion thereof, may result in severe civil and criminal penalties, and will be prosecuted to the maximum extent possible under law.

Disclaimer

Neither this guide nor any material in this guide is sponsored, endorsed or affiliated with any of the respective vendor. All trademarks are properties of their respective owners.

Question: 1

Refer to the exhibit.



Which statement accurately represents the characteristics of the core layer in this design?

- A. QoS should be performed only in the core.
- B. Load balancing should never be implemented or used in the core.
- C. Access lists should be used in the core to perform packet manipulation.
- D. It is acceptable to use a partial mesh in the core if it is connected to each device by multiple paths.
- E. Policy-based traffic control is implemented in the core to enable prioritization, ensuring the best performance for all time-critical applications.

Answer: D

Question: 2

Which statement accurately describes one difference between a small office and medium office topology?

- A. Small offices commonly use Rapid PVST + for Layer3 deployments.

- B. Medium offices commonly use integrated route and switching platforms.
- C. Medium offices use integrated 10/100/1000 interfaces as Layer 2 trunks.
- D. Medium offices use external access switches to support LAN connectivity.

Answer: D

Question: 3

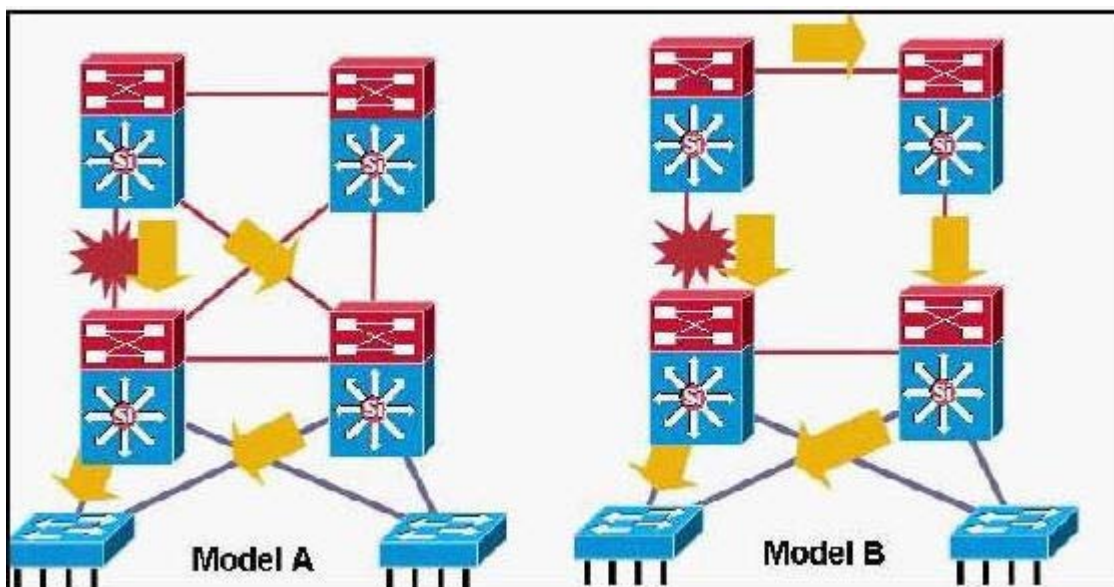
Which three factors best justify WAN link redundancy between geographically dispersed sites? (Choose three.)

- A. Important traffic flows
- B. Lack of speed
- C. High link utilization
- D. Uncertain reliability
- E. Excessive packet transmission rate
- F. High expense of transmitting data

Answer: A, B, D

Question: 4

Refer to the exhibit.



Which two statements describe why Model A is the recommended design for routing

between Building Distribution switches and Campus Core switches? (Choose two.)

- A. It uses timer-based non-deterministic convergence.
- B. It is software-based, providing fast convergence to the remaining path.
- C. Routes are not summarized from distribution to the core.
- D. The Layer 3 redundant equal cost links support fast convergence.
- E. A link or box failure does not require routing protocol convergence.

Answer: D, E

Question: 5

An organization needs a WAN Transport technology that meets these criteria: has a low initial cost provides low-to-medium BW has medium-to-high latency and jitter Which technology would you suggest?

1.	has a low initial cost
2.	provides low-to-medium BW
3.	has medium-to-high latency and jitter

- A. DSL
- B. X.25
- C. ISDN
- D. Wireless
- E. Analog modem

Answer: A

Question: 6

Which two of these represent a best practice implementation of a Split MAC LWAPP deployment in a Cisco Unified Wireless Network? (Choose two.)

- A. Each wireless client authentication type maps to a shared SSID which in turn maps to a common shared VLAN.
- B. Each wireless client authentication type maps to a unique SSID which in turn maps to a unique VLAN.
- C. Each wireless client authentication type maps to a unique SSID which in turn maps to a common shared VLAN.
- D. 802.1Q trunking extends from the wired infrastructure to the access point for translation into SSID(s).
- E. 802.1Q trunking extends from the wired infrastructure to a wireless LAN controller for translation into SSID(s).

F. 802.1Q trunking extends from the wired infrastructure to a wireless LAN controller. Then the 802.1Q packet is encapsulated in LWAPP and sent to the access point for transmission over the SSID(s),

Answer: B, E

Question: 7

Which two statements represent advantages that the top-down network design process has over the bottom-up network design process? (Choose two.)

- A. Is able to provide the big picture
- B. Utilizes previous experience
- C. Takes less time to design a network
- D. Identifies appropriate technologies first
- E. Provides a design for current and future development

Answer: A, E

Question: 8

Which two of these are required for wireless client mobility deployment when using a Cisco Unified Wireless Network? (Choose two.)

- A. Assigned master controller
- B. Matching mobility group name
- C. Matching RF group name
- D. Matching RF power
- E. Matching security
- F. Matching RF channel

Answer: B, E

Question: 9

Which two VoIP characteristics are affected most by codec choice? (Choose two.)

- A. Voice quality
- B. Silent packet handling
- C. Voice packet header size
- D. Bandwidth required for voice calls

Answer: A, D

Question: 10

Which H.323 protocol controls call setup between endpoints?

- A. H.225
- B. H.245
- C. RAS
- D. RTCP

Answer: A

Question: 11

A company is designing a worldwide IPv6 network with duplicated file servers at multiple locations. Each file server contains identical reference information. Which IPv6 address type would be used to allow each end station to send a request to the nearest file server using the same destination address, regardless of the location of that end station?

- A. Unicast
- B. Anycast
- C. Multicast
- D. Broadcast

Answer: B

Question: 12

Given a VoIP network with these attributes:**Codec: G.728 Bit rate: 16Kbps WAN Bandwidth: 256 Kbps Packet Header 6 bytes Payload: 40 bytes CRTP: Yes How many calls can be made?**

Codec: G.728
Bit rate: 16 Kbps
WAN Bandwidth: 256 Kbps
Packet Header: 6 bytes
Payload: 40 bytes
CRTP: Yes

- A. 7 calls
- B. 8 calls

- C. 13 calls
- D. 14 calls

Answer: C

Question: 13

The topology map in the draft design document should cover which two layers of the OSI model? (Choose two.)

- A. Physical
- B. Data link
- C. Network
- D. Transport
- E. Session
- F. Application

Answer: A, C

Question: 14

Which two techniques can reduce voice packet transfer delay across a link of less than 512 kbps? (Choose two.)

- A. Deploy LFI
- B. Increase queue depth
- C. Increase link bandwidth
- D. Extend the trust boundary
- E. Deploy software compression

Answer: A, C

Question: 15

Your company's Cisco routers are operating with EIGRP. You need to join networks with an acquisition's heterogeneous routers at 3 sites, operating with EIGRP and OSPF. Which describes the best practice for routing protocol deployment?

- A. Apply OSPF throughout both networks
- B. Apply one-way redistribution exclusively at each location
- C. Apply two-way redistribution exclusively at each location
- D. Apply two-way redistribution at each location with a route filter at only one location
- E. Apply two-way redistribution at each location with a route filter at each location

F. Apply EIGRP with the same autonomous system throughout both networks

Answer: E

Question: 16

**A Cisco security mechanism has the following attributes:
it is a sensor appliance it searches for potential attacks by capturing and analyzing traffic
it is a "purpose-built device" it is installed passively it introduces no delay or overhead**

it is a sensor appliance
it searches for potential attacks by capturing and analyzing traffic
it is a "purpose-built device"
it is installed passively
it introduces no delay or overhead

Which Cisco security mechanism is this?

- A. IKE
- B. PIX
- C. HIPS
- D. NIDS
- E. HMAC

Answer: D

Get Full Version of Exam 640-863 PDF Q&A

techeXams presents authentic, genuine and valid study material, which promise 100% success in very first attempt. To take optimal results for 640-863 exam, you need to buy full version of 640-863 question and answer. An average of approximately 10 to 15 hours should be spent to study these exam questions and you will surely pass your exam. So come join us and quench your thirst for knowledge.

Get complete 640-863 questions and answers by visiting URL

["http://www.techexams.ws/exams/640-863.do"](http://www.techexams.ws/exams/640-863.do)