



E22-280

(Avamar Backup and Data De-duplication Exam)

Document version: 9.30.06

Important Note, Please Read Carefully

techeXams' E22-280 Exam is a comprehensive compilation of questions and answers that have been developed by our team of certified professionals. In order to prepare for the actual exam, all you need is to study the content of this exam questions. An average of approximately 10 to 15 hours should be spent to study these exam questions and you will surely pass your exam. It's our guarantee.

Latest Version

We are constantly reviewing our products. New material is added and old material is revised. Free updates are available for 90 days after the purchase. You should check your member zone at techeXams and update 3-4 days before the scheduled exam date. Here is the procedure to get the latest version:

1. Go to <http://www.techeXams.ws/>
2. Log in the User Center
3. The latest versions of all purchased products are downloadable from here. Just click the links.

Feedback

If you find any possible improvement, then please do let us know. We are always interested in improving the quality of this product. Feedback can be send at: **customer.service@techeXams.ws**

Explanations

This product does not include explanations for all questions at the moment. If you are interested in providing explanations for this exam, please contact **customer.service@techeXams.ws**.

Copyright

techeXams holds the copyright of this material. techeXams grants you a limited license to view and study this material, either for personal or commercial use. Unauthorized reproduction or distribution of this material, or any portion thereof, may result in severe civil and criminal penalties, and will be prosecuted to the maximum extent possible under law.

Disclaimer

Neither this guide nor any material in this guide is sponsored, endorsed or affiliated with any of the respective vendor. All trademarks are properties of their respective owners.

Question: 1

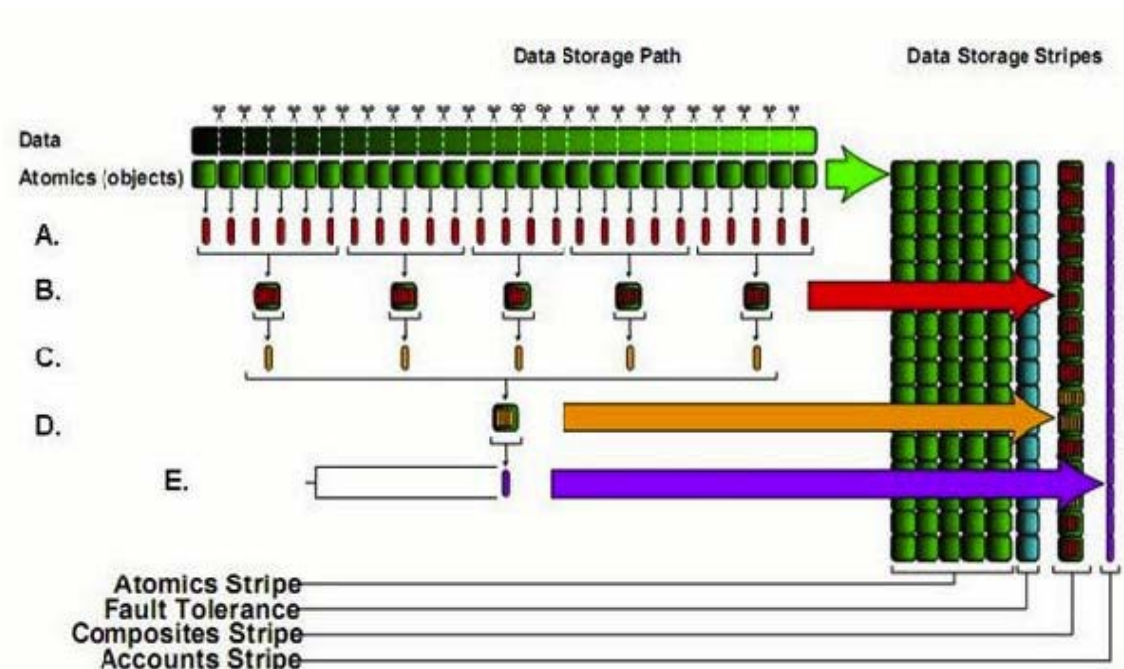
What are key features of EMC Avamar?

- A. Disk-based archive RAID, RAIN, clustering and replication Global deduplication
- B. Global deduplication RAID, RAIN, checkpoints and replication Disk storage
- C. Global deduplication RAID, RAIN, checkpoints and replication Auto-archive of NAS
- D. OS-specific deduplication RAID, RAIN, checkpoints and replication Full, Incremental and Differential file system backups

Answer: B

Question: 2

Click the Exhibit button. What does E. represent?



Answer: D

Question: 3

You are using the Avamar Administrator console to configure replication. What is the default Avamar root password?

- A. 8RttoTriz
- B. calvin
- C. changeme
- D. P3t3rPan

Answer: A

Question: 4

You are configuring the network on an Avamar Data Store and need to log in as user 'root'. What is the default operating system root password?

- A. 8RttoTriz
- B. calvin
- C. changeme
- D. P3t3rPan

Answer: C

Question: 5

A customer has three MS SQL servers, each has four databases. How many datasets need to be created to back up all databases on all servers with EMC Avamar?

- A. 1
- B. 3
- C. 7
- D. 12

Answer: A

Question: 6

A customer has an MS Exchange 2003 server with five Exchange databases in three storage groups. How many datasets will need to be defined to back up this Exchange environment?

- A. 1
- B. 3
- C. 5
- D. 8

Answer: B

Question: 7

When backing up a MS Windows cluster using EMC Avamar, which resource needs to be excluded from the backup dataset?

- A. C:\ drive
- B. Quorum drive
- C. Shared Resource
- D. System32 Directory

Answer: B

Question: 8

What describes the characteristics of an NDMP backup capability through an EMC Avamar accelerator?

- A. Initiates a Level-1 backup to the NAS device to retrieve only change files, then uses the file cache to deduplicate data.
- B. Is an active member of the EMC Avamar system's RAIN configuration that provides a backup and recovery solution for NAS devices.
- C. Stores Level 0 data in order to deduplicate subsequent backups, uses the hash cache to deduplicate data sent to the server.
- D. Initiates a Level-1 backup to the NAS device to retrieve only change files, then uses the hash cache to deduplicate data.

Answer: D

Question: 9

What describes EMC Avamar MS SQL backups?

- A. Differential backups only include the transaction logs.
- B. Full backups include all objects, system tables and data.
- C. Incremental backups include data that has changed since the last full backup.
- D. Level 1 backups include all objects and data except for system tables.

Answer: B

Question: 10

What describes the characteristics of an EMC Avamar NDMP accelerator?

- A. A component of capability to the EF
- B. A specialized no
- C. An active memb
- D. A specialized no

and restore
 S devices and passes
 provides a backup
 protocol (NDMP)
 recovery solution

Answer: D

Question: 11

Which EMC Avamar

- A. Avamar streami
- B. Avamar streami
- C. Database is first
- D. Database is dun

e time?
 ly from the database
 directly from the
 amar server's utility
 Avamar agent is

Answer: D

Question: 12

What are the EMC A
backing up database

- B.
- C. 3% d
- D. 3% daily c

throughputs for

Answer: C

E22-280 Demo Exam

Get complete e22-280 exam questions and answers by visiting URL

["http://www.techexams.ws/exams/e22-280.do"](http://www.techexams.ws/exams/e22-280.do)